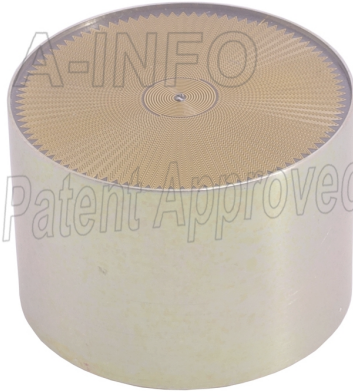


For reference only. See data sheet for the detailed specifications.

Technical Specification



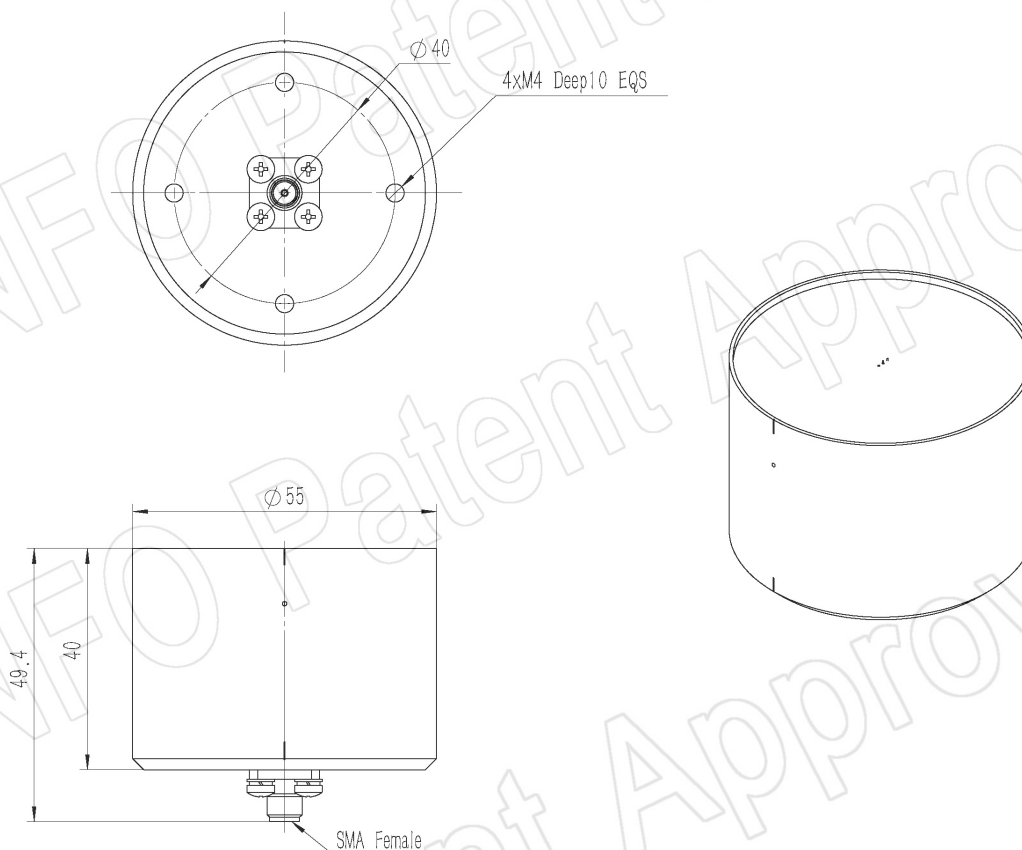
Frequency Range(GHz)	2.0 - 18.0
Gain(dBic)	-8.0 - 6.0
	0 Typ.
Polarization	RHCP or LHCP
Axial Ratio(dB)	2.0 Typ.
	4.0 Max.
3dB Beamwidth(deg)	E Plane: 153 - 57
	H Plane: 156 - 38
VSWR	2.0: 1 Typ.
	3.0: 1 Max.
Connector	SMA-Female
Material	Al
Size(mm)	55 x 55 x 49.4
Net Weight(Kg)	0.13 Around

PATENT ID (China)

ZL201921373071.0, ZL201630454714.X

Outline Drawing (Size: mm)

SMA-Female Output (P/N: LX-20180SA_RHCP or LX-20180SA_LHCP)



AINFO Inc.

China(Beijing):
China(Chengdu):
USA :

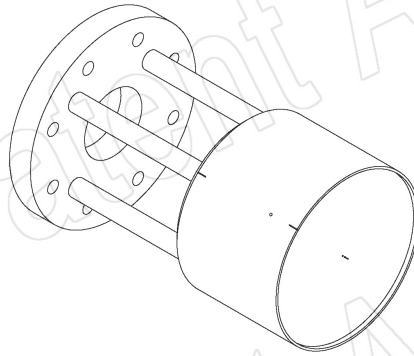
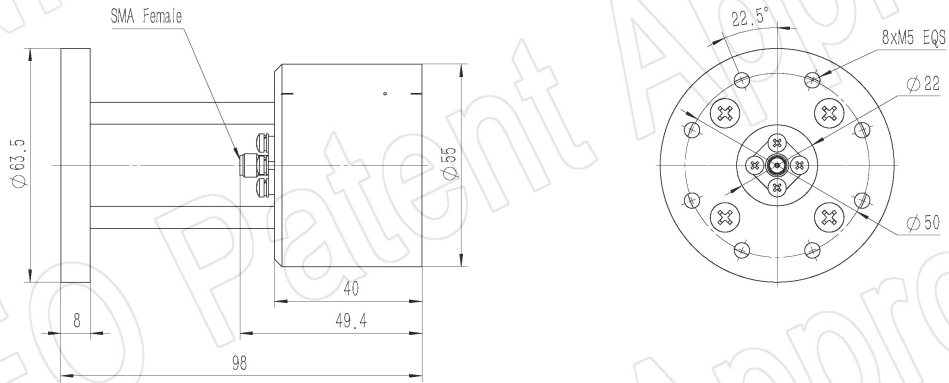
Tel: (+86) 10-6266-7326,
Tel: (+86) 28-8519-2786,
Tel: (+1) 949-639-9688,

(+86) 10-6266-7327
(+86) 28-8519-3044
(+1) 949-639-9608

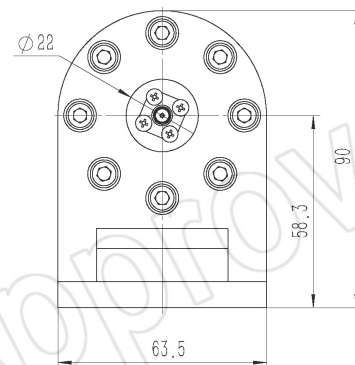
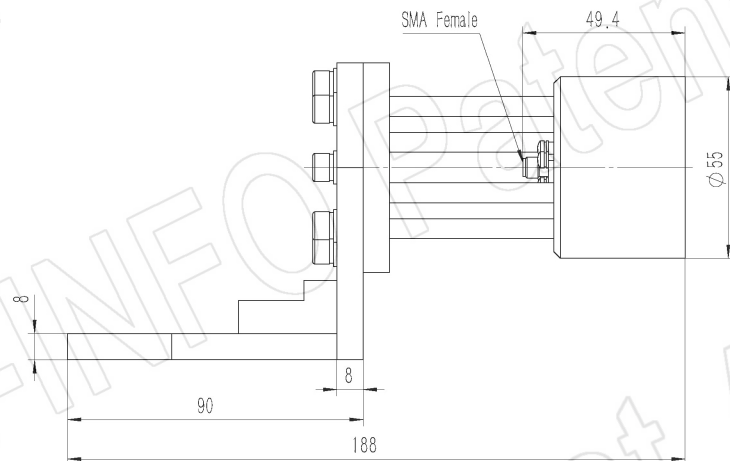
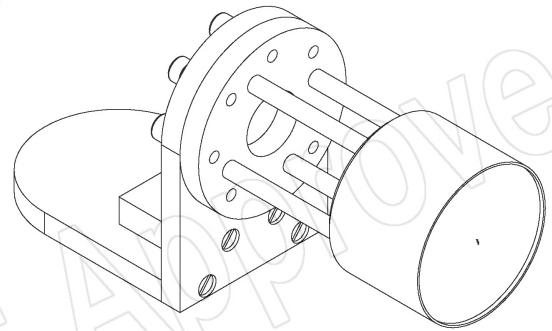
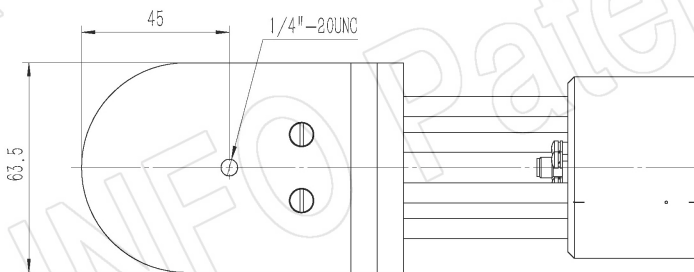
Fax: (+86) 10-6266-7379
Fax: (+86) 28-8519-3068
Fax: (+1) 949-639-9670

Website: www.ainfoinc.com
Email: sales@ainfoinc.com

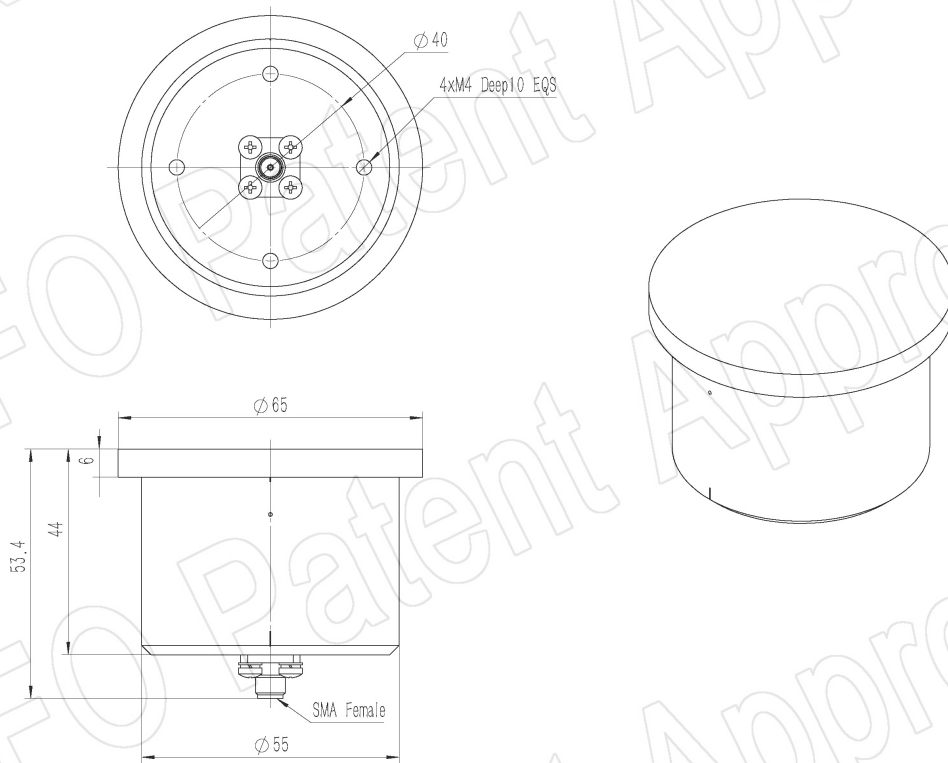
SMA-Female Output with Round Mounting Bracket (Option, P/N: LX-20180-MB)



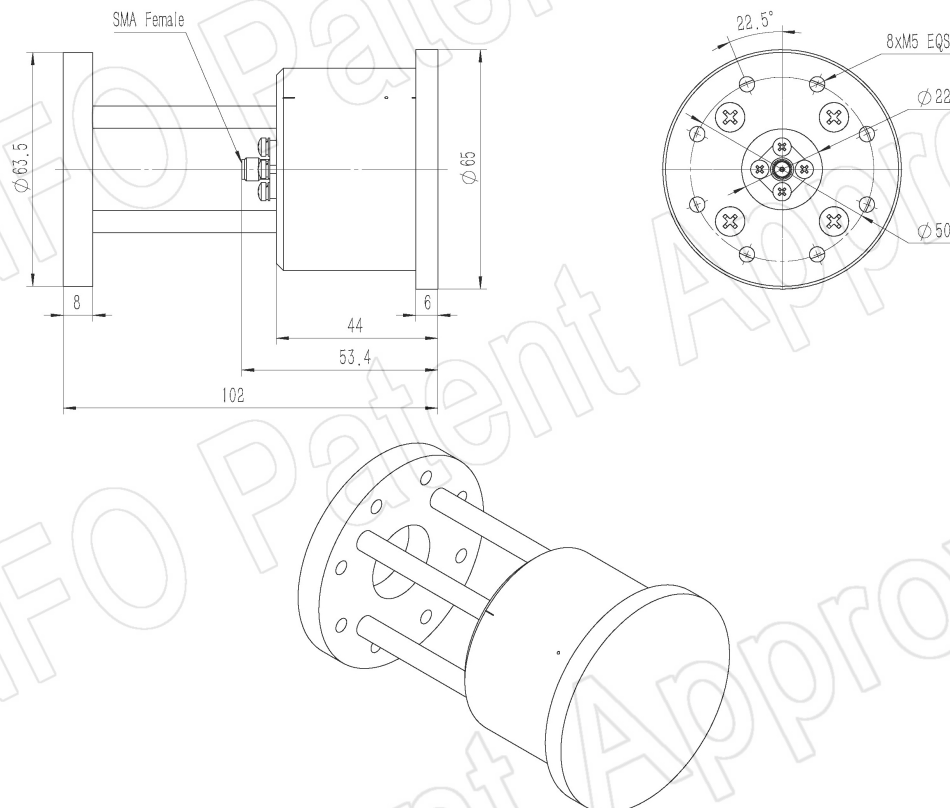
SMA-Female Output with L Type Mounting Bracket (Option, P/N: LX-20180-MBL)



SMA-Female Output with Radome (Option, P/N: LX-20180SA_RHCPSP0 or LX-20180SA_LHCPSP0, Outdoor Application)



SMA-Female Output with Round Mounting Bracket & Radome (Option, P/N: LX-20180-MB & LX-20180SA_RHCPSP0 or LX-20180SA_LHCPSP0, Outdoor Application)



AINFO Inc.

China(Beijing):
China(Chengdu):
USA :

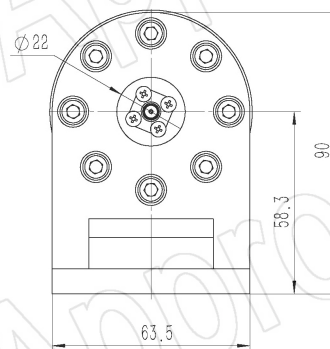
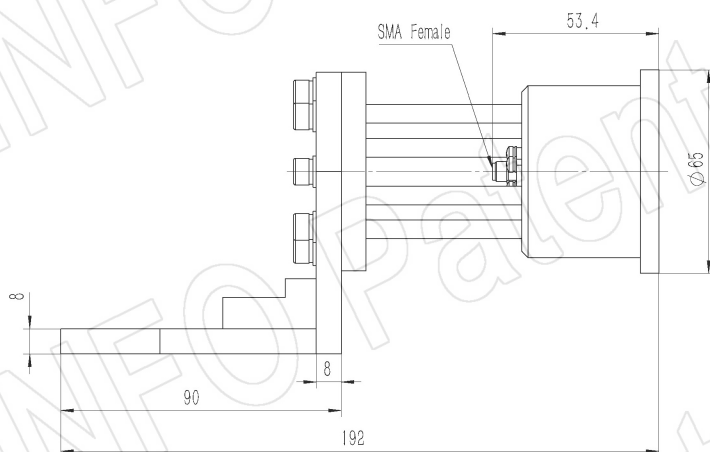
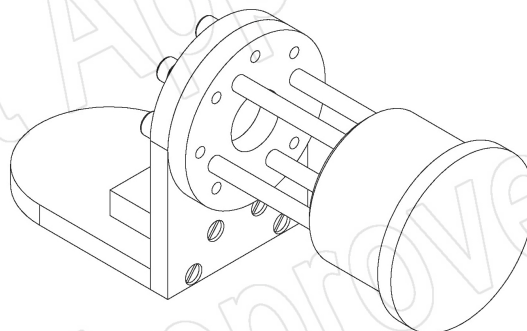
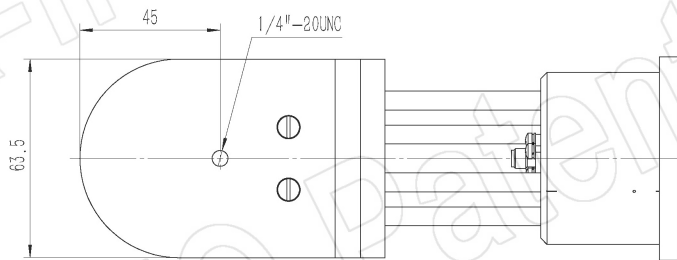
Tel: (+86) 10-6266-7326,
Tel: (+86) 28-8519-2786,
Tel: (+1) 949-639-9688,

(+86) 10-6266-7327
(+86) 28-8519-3044
(+1) 949-639-9608

Fax: (+86) 10-6266-7379
Fax: (+86) 28-8519-3068
Fax: (+1) 949-639-9670

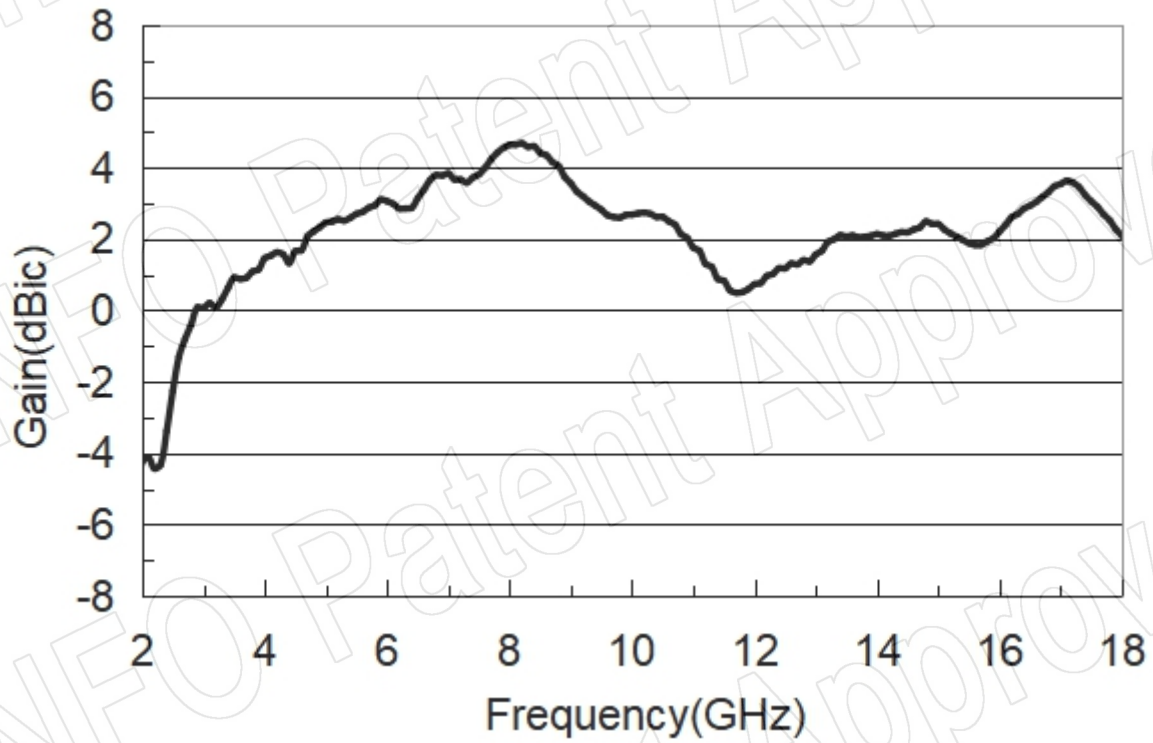
Website: www.ainfoinc.com
Email: sales@ainfoinc.com

SMA-Female Output with L Type Mounting Bracket & Radome (Option, P/N: LX-20180-MBL & LX-20180SA_RHCPSPPO or LX-20180SA_LHCPSPPO, Outdoor Application)

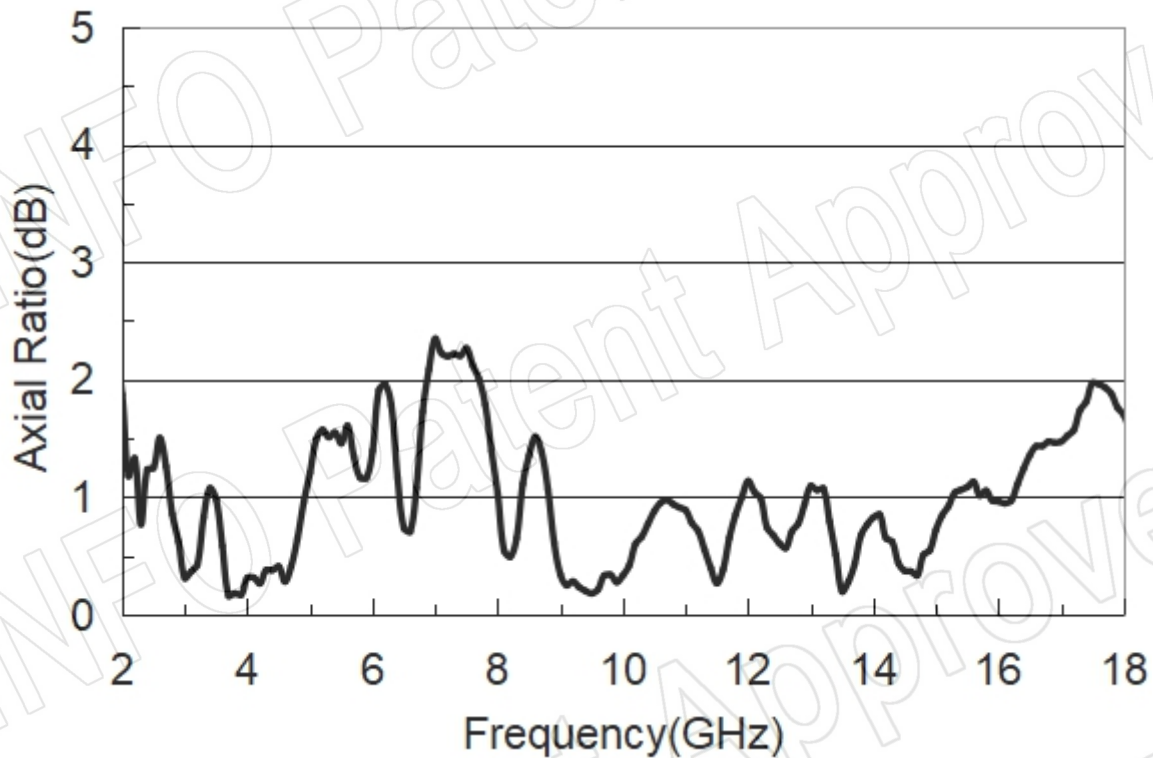


Test Results

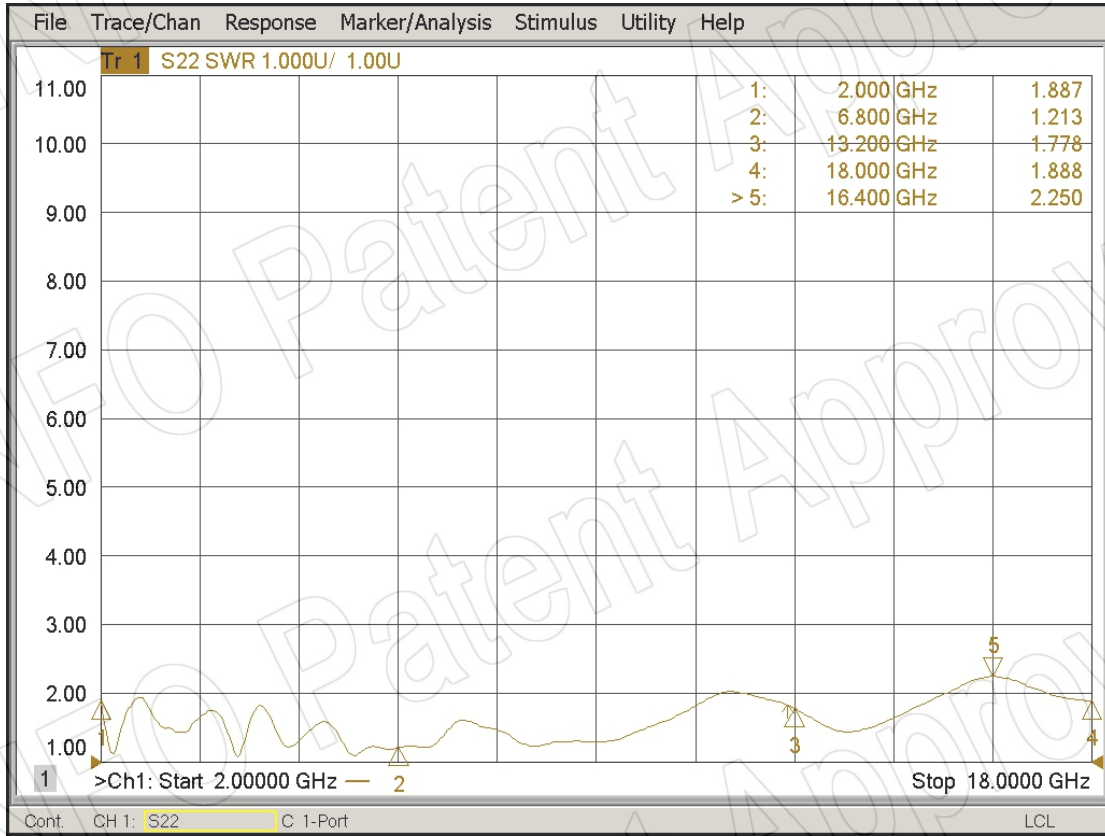
1. Gain



2. Axial Ratio



3. VSWR



4. Pattern

